

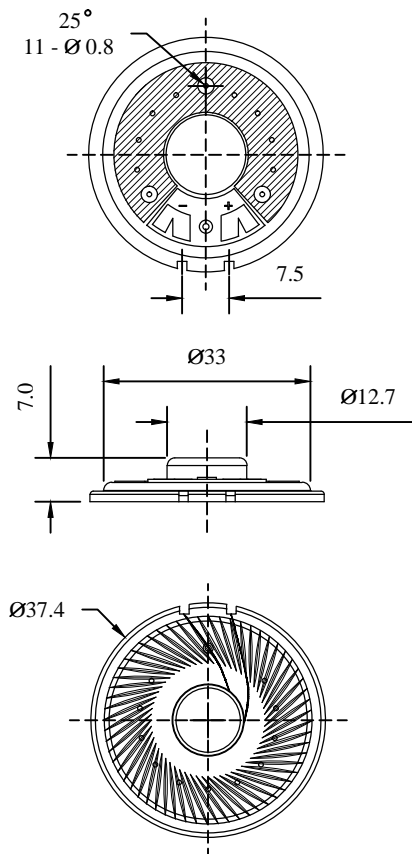
**1. Features**

3-1) Wide Band Frequency Response, for Telephone Handset, etc.

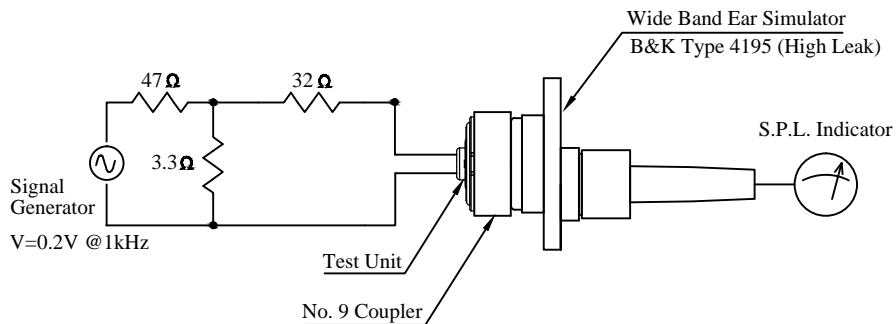
**2. Specifications:**

- 2-1) Sensitivity..... 97.5 dB SPL  $\pm 2.0$ dB (0dB = 20  $\mu$  Pa, @ 0.1V / 1kHz input)
- 2-2) Impedance..... 32  $\Omega$  at 1kHz
- 2-3) Distortion..... THD less than 5% for a sound pressure of +11dB Pa in the artificial ear at any frequency in the 100Hz to 8000Hz range
- 2-4) Magnetic Field Characteristics..... Magnetic Field Intensity - Axial Component, -36.0dB (at 1kHz) 0dB = AT/M  
Magnetic Field Intensity - Radial Component, -41.0dB (at 1kHz) 0dB = AT/M

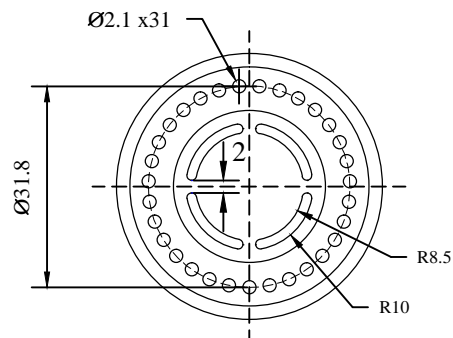
**3. Appearance Drawing (mm)**



**4. Test Circuit Diagram**



**5. No. 9 Coupler**



**6. Frequency Response**

